



ATS flex

Operating Instructions

Table of contents

1	Notes for the user	4	4	Transport, disposal and storage	9
1.1	Information about the product	4	4.1	Transporting the device	9
1.2	Warranty	4	4.2	Disposal	9
1.3	Contact data	4	4.3	Storage	9
1.4	Information about these Operating Instructions	4	4.4	Return	10
1.5	Copyright and intellectual property rights.	4	5	Installation	10
1.6	Keeping and dissemination of the Operating Instructions	4	5.1	Installing the accessories	10
1.7	Target group of these Operating Instructions	4	5.2	Setting limit.	10
1.8	General information	4	5.3	Assembling jaws	10
1.9	Conventions adopted in these Operating Instructions	4	5.4	Connecting ATS flex.	10
1.9.1	Classification of the precautionary notices	4	6	Operation	11
1.9.2	Other notational conventions	5	6.1	Loading tie heads	11
2	Safety instructions	5	6.2	Loading tie ribbon	11
2.1	General power tool safety instructions.	5	6.3	Adjusting tension force	11
2.1.1	Occupational health and safety	5	6.4	Switching on	12
2.1.2	Electrical safety	5	6.5	Selecting mode	12
2.1.3	Safety of persons.	5	6.6	Binding	12
2.1.4	Use and handling of the power tool	6	6.7	Sequence of movements in normal operation	12
2.1.5	Service.	6	6.8	Positioning	13
2.2	Intended use	6	6.8.1	Positioning the bundle.	13
2.3	Misuse.	6	6.8.2	Geometries of bundles	13
2.4	Personnel qualification.	6	6.9	Switching off.	14
2.4.1	Specialist personnel for operation	6	6.10	Removing tie heads	14
2.4.2	Specialist personnel for maintenance and servicing	7	6.10.1	Removing the tie heads from the end cap.	14
2.4.3	Qualified electrician.	7	6.10.2	Removing the tie heads from the tie head transport	14
2.4.4	Authorised specialist for repair and testing.	7	6.11	Removing tie ribbon	14
2.5	Underlying hazards associated with use of the ATS flex.	7	7	Troubleshooting	15
2.5.1	Cleanliness at the workplace	7	7.1	Error analysis	15
2.5.2	Spare parts and accessories	7	7.2	Possible errors	16
3	Design and function	8	7.2.1	Important notes	17
3.1	Scope of supply	8	7.2.2	Performing a reset	17
3.2	Functional description	9	8	Maintenance	17
3.2.1	ATS flex tool	9	8.1	Important notes	17
3.2.2	Display	9	8.2	Accessories and extras.	17
			8.3	Servicing by manufacturer	17
			8.4	Maintenance schedule.	18
			8.5	Repair	18
			8.5.1	Cleaning end cap.	18
			8.5.2	Checking jaws, upper jaw flap and lower jaw flap	18

8.5.3	Replacing upper jaw flap and lower jaw flap	19
8.5.4	Checking and replacing the ribbon knife	20
9	Technical data	21
9.1	ATS flex	21
9.1.1	Serial number	22
9.1.2	Nameplate	22
9.2	Noise and vibration information.	22
10	Declaration of conformity	23

1 Notes for the user

These Operating Instructions are very important for correct use of the ATS flex.

They contain important information and safety instructions that will enable you to utilise the product correctly and economically for its intended use.

The instructions help prevent hazards, reduce repair costs and downtimes, and enhance the dependability and durability of the ATS flex.

Non-compliance of any nature whatsoever can lead to accidents with fatal consequences, injury or damage to property.

1.1 Information about the product

Product designation: ATS flex

Article number: 102-6000

Further information on the product can be found on the nameplate.

1.2 Warranty

The warranty is in accordance with statutory requirements. Warranty entitlement applies only in the country in which the device was originally purchased.

Batteries, fuses and light sources are not covered by the warranty.

1.3 Contact data

The manufacturer of the product described in these Operating Instructions is:

HellermannTyton GmbH

Grosser Moorweg 45

D-25436 Tornesch, Germany

Tel. +49 4122 701-0

www.HellermannTyton.de

info@HellermannTyton.de

1.4 Information about these Operating Instructions

Last change: 27.11.2023

1.5 Copyright and intellectual property rights

The manufacturer retains the copyright to these Operating Instructions. Under no circumstances may these instructions be reproduced or electronically processed, replicated or disseminated, in whole or in part, without the prior written consent of HellermannTyton GmbH (hereinafter referred to as HellermannTyton). Any breach or infringement of these stipulations will result in liability for damages.

1.6 Keeping and dissemination of the Operating Instructions

These Operating Instructions must be kept in the immediate vicinity of the workplace and must be available at all times to all operating personnel. The operating company shall inform the operating personnel of the location of these Operating Instructions.

The operating company shall obtain replacement from the manufacturer if these instructions are, become or are rendered no longer easily legible.

If the ATS flex is acquired by or sold on to a third party, the following documents must be handed over to the new owner:

- Operating Instructions
- Documents relating to repair work
- Logs of maintenance work undertaken
- ▶ Protect these Operating Instructions from moisture, direct sunlight and extreme heat.

1.7 Target group of these Operating Instructions

These Operating Instructions must be read and complied with by every person charged with any of the following tasks:

- Installation
- Operation
- Maintenance
- Repair
- Fault rectification

1.8 General information

Subject to technical modifications.

1.9 Conventions adopted in these Operating Instructions

1.9.1 Classification of the precautionary notices

Precautionary notices in these Operating Instructions draw attention to hazards associated with use of the ATS flex and indicate how they can be avoided.

The precautionary notices are subdivided into three groups according to the severity of the potential hazard:



DANGER

Text accompanied by the signal word "DANGER" indicate hazardous situations which, in the event of non-compliance with the appropriate precautions, will cause death or severe injury.



WARNING

Text accompanied by the signal word "WARNING" indicate hazardous situations which, in the event of non-compliance with the appropriate precautions, can cause death or serious injury.



CAUTION

Text accompanied by the signal word "CAUTION" indicate hazardous situations which, in the event of non-compliance with the appropriate precautions, can cause slight or serious injury.

1.9.2 Other notational conventions

- ▶ Indicates an instruction
- Indicates a list
- ☑ Indicates the result of an action


This text highlight is used for names of menus, clickable on-screen buttons, pushbuttons and switches.

This text highlight is used for display messages.

→ This text highlight is used for cross-references.


NOTE

Text accompanied by the signal word "NOTE" indicate situations which, in the event of non-compliance with the appropriate precautions, can cause damage to the ATS flex or the surroundings.

 Text accompanied by this symbol contains useful additional information.

2 Safety instructions

2.1 General power tool safety instructions

 The safety instructions in this section contain general power tool safety instructions to be set out in the Operating Instructions as required by EN 62841. Consequently, some instructions might not be relevant for the ATS flex.

WARNING

Read all safety instructions and all other instructions.
Failure to follow the warning and instructions may result in electric shock, fire and/or serious injury.

Save all safety instructions and other instructions for future reference. The term "power tool" in the safety instructions refers to your mains-operated (corded) power tool or battery-operated (cordless) power tool.

2.1.1 Occupational health and safety

- a) **Keep your workplace clean and tidy and well illuminated.** *Poor lighting or a lack of orderliness at the workplace can lead to accidents.*
- b) **Do not work with the power tool in surroundings where there is a risk of explosion, where flammable liquids, gases or dust are present.** *Power tools create sparks which may ignite the dust or fumes.*
- c) **Keep children and other persons well clear while the power tool is in use.** *Distractions can cause you to lose control of the power tool.*

2.1.2 Electrical safety

- a) **The plug of the power tool must match the socket outlet. Do not use a plug that has been modified in any way. Do not use an adapter plug together with a power tool that has a protective earth.** *Unmodified plugs and matching socket outlets reduce the risk of electric shock.*

- b) **Avoid body contact with earthed or grounded surfaces, such as those of pipes, radiators, cookers and refrigerators.** *The risk of electric shock is higher when your body is earthed.*
- c) **Protect power tools from rain and moisture.** *Water penetrating into a power tool increases the risk of electric shock.*
- d) **Never misuse the cable for carrying the power tool or hanging it up, or for pulling the plug out of the socket outlet.** *Keep the cable away from heat, oil, sharp edges and moving parts.*
- e) **When you work outdoors with a power tool, use only an extension lead that is suitable for outdoor use.** *Using an extension lead that is suitable for outdoor use reduces the risk of electric shock.*
- f) **If operation of a power tool in a damp environment is unavoidable, use a portable residual current device (PRCD).** *Using a PRCD reduces the risk of electric shock.*

2.1.3 Safety of persons

- a) **Stay alert, attend to the task in hand and use common sense when you work with a power tool. Do not use a power tool when you are tired or while under the influence of drugs, alcohol or medication.** *A moment of inattention while using a power tool can result in serious injuries.*
- b) **Wear appropriate personal protective equipment (PPE).** *Depending on the type of power tool and the way in which it is used, wearing PPE such as a dust mask, non-slip safety shoes, a hard hat and ear defenders reduces the risk of injury.*
- c) **Prevent accidental starting. Make sure that the power tool is switched off before you connect it to the power source and/or battery pack, and also before picking up or carrying the tool.** *Touching the switch while carrying the power tool or connecting the power tool to the electricity supply while it is switched on can lead to accidents.*
- d) **Remove adjusting tools or wrenches before switching the power tool on.** *A tool or wrench engaged in a part that starts to rotate when the power tool is switched on can cause injuries.*
- e) **Avoid adopting an awkward posture when working. Maintain a firm footing and keep your balance at all times.** *This will enable you to control the power tool better if an unexpected situation occurs.*
- f) **Dress properly. Do not wear loose clothing or jewellery. Keep your hair and clothing well away from moving parts.** *Loose clothes, jewellery or long hair can be snagged by moving parts.*
- g) **If it can be fitted, dust extraction and filtration equipment must be connected and used correctly.** *Using a dust extractor can reduce hazards associated with dust.*

- h) Do not permit yourself to be lulled into a false sense of security and do not disregard the safety regulations for working with power tools, even after frequent or repeated use has made you familiar with the power tool. Carelessness can result in series injuries within a fraction of a second.

2.1.4 Use and handling of the power tool

- a) Do not overload the power tool. Use the correct power tool for the task in hand. *Using the right power tool for the job will enable you to work better and in greater safety in the stated performance range.*
- b) Never use a power tool that has a faulty switch. *A power tool that cannot be switched on or off at the switch intended for this purpose is dangerous and must be repaired.*
- c) Disconnect the plug from the socket outlet and/or remove the battery pack from the power tool before making adjustments, changing accessory tools or laying the power tool aside. *This precaution prevents accidental starting of the power tool.*
- d) When not in use, store power tools out of reach of children. Do not permit anyone to work with the power tool who is not familiar with it or has not read and understood these instructions. *Power tools in the hands of inexperienced persons are dangerous.*
- e) Keep power tools and accessory tools in good condition at all times. Check that moving parts are in full working order and do not jam. Check for parts that are broken or damaged to the extent that operation of the power tool is impaired. Have damaged parts repaired before using the power tool. *Many accidents involving power tools are due to poor maintenance.*
- f) Keep cutting tools sharp and clean. *Carefully maintained cutting tools with sharp cutting edges are less likely to jam and are easier to control.*
- g) Use the power tool, accessory tools, etc. in accordance with these instructions. Take working conditions and the task to be undertaken into account in this respect. *Using power tools for other than the intended use can lead to hazardous situations.*
- h) Keep handles and gripping surfaces dry, clean and free of oil and grease. *Slippery handles and gripping surfaces do not permit safe operation and control of the power tool in unexpected situations.*

2.1.5 Service

- a) Have your power tool repaired only by a qualified specialist using only the manufacturer's genuine spare parts. *This ensures that the safety of the power tool is maintained.*

2.2 Intended use

Use the ATS flex only when it is in full working order and safe, always be safety-conscious and aware of the hazards. The ATS flex is suitable for and intended for the following uses:

- Automatic binding of bundles up to a diameter of max. 100 mm
- Use indoors and, under rainproof roofing, outdoors
- Industrial use

2.3 Misuse

Use other than as stated in the section entitled "→ *Intended use*" on page 6" is misuse. The operator of the ATS flex bears sole responsibility for injury and damage resulting from misuse.

The following are specifically prohibited:

- Use with faulty parts
- Use in explosive environments or in the presence of a fire hazard
- Use in high humidity and/or direct sunlight
- Simultaneous use by two or more persons
- Unauthorised alterations and modifications to the ATS flex and its accessories without the prior consent of HellermannTyton
- Use of spare parts and accessories not tested and approved beforehand by HellermannTyton
- Operation of the ATS flex with the housing open

2.4 Personnel qualification

Underage persons and trainees are permitted to use the device only under the supervision of an experienced specialist and only with the express permission of the operating company.

2.4.1 Specialist personnel for operation

The tasks and authorisations assigned to specialist personnel for extended operation are as follows:

- Operation of the ATS flex
- Rectification of faults or, as applicable, initiation of measures for the rectification of faults
- Cleaning of the ATS flex

These individuals have the specialist training or practical experience that will ensure correct handling.

2.4.2 Specialist personnel for maintenance and servicing

Always have maintenance and servicing carried out by duly qualified specialist personnel. These individuals have the specialist training that affords sufficient knowledge of the ATS flex for them to judge when it is in safe working order.

These individuals are also familiar with the following rules and regulations:

- Applicable national health and safety regulations
- Accident prevention regulations
- Generally accepted rules of engineering practice (e.g. employers' liability insurance association codes, DIN standards, VDE regulations, technical rules of other European Union Member States or other signatories of the Agreement on the European Economic Area).

2.4.3 Qualified electrician

Work on the electrical supply and on parts that are live when the device is in operation should always be carried out by a trained electrician.

2.4.4 Authorised specialist for repair and testing

Only service technicians from HellermannTyton or service technicians certified by HellermannTyton are permitted to carry out repairs and safety checks.

2.5 Underlying hazards associated with use of the ATS flex

2.5.1 Cleanliness at the workplace

Orderliness, good lighting and cleanliness at the workplace all help to make work easier, minimise hazards and reduce the risk of injury.

Always comply with the following principles of orderliness and cleanliness at the workplace:

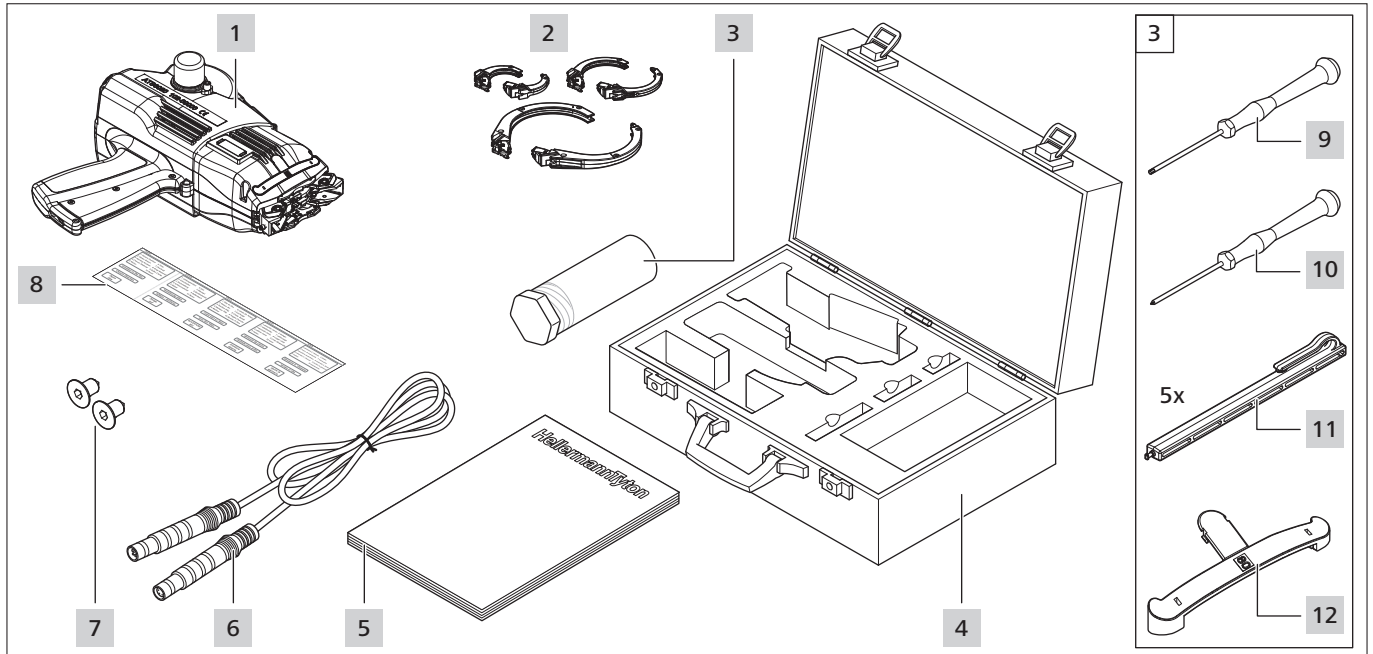
- ▶ Put tools away as soon as they are no longer needed.
- ▶ Avoid trips (e.g. immediately dispose of waste by placing it in the containers provided for the purpose).
- ▶ Immediately remove spillages of grease, oil and other liquids.
- ▶ Clean smears off the controls.

2.5.2 Spare parts and accessories

- ▶ Use only original replacement parts.
- ▶ After parts have been replaced, always check that everything is in full working order.
- ▶ Use only accessories approved by HellermannTyton. Accessories can affect the way in which the ATS flex works.

3 Design and function

3.1 Scope of supply



- 1 flex autotool system (ATS flex)
- 2 Jaw Ø30 mm, Ø50 mm and Ø80 mm
- 3 Service box
- 4 Case, complete with 2 keys
- 5 flex Safety Instructions, Short Manual
- 6 Connecting cable 2 m (for connecting power pack and ATS flex)
- 7 Screw (2x) for suspension
- 8 flex label set

Contents of the service box

- 9 Screwdriver 2 mm for Allen screw
- 10 Screwdriver PH0 50
- 11 Tie head puller (5x)
- 12 Limit 80



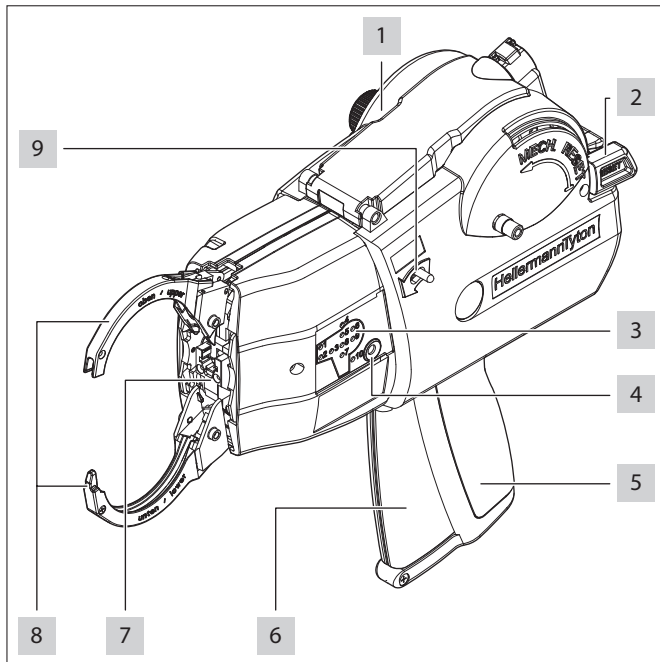
For article numbers for the accessories, → "Accessories and extras" on page 17

Checking scope of supply

- ▶ Check that nothing is missing and that there are no visible signs of damage in transit or other damage.
- ▶ Have damage confirmed by the freight forwarder and notify HellermannTyton immediately in writing.

3.2 Functional description

3.2.1 ATS flex tool



- 1 ATS flex
- 2 Reset lever
- 3 Display
- 4 Mode selection pushbutton
- 5 Grip
- 6 Triggering lever (trigger)
- 7 End cap with front sensor
- 8 Upper and lower jaws
- 9 Release lever

The ATS flex **1** is an electrically powered system for bundling electrical wires, for example, and for securing parts of various kinds with tie ribbon and tie heads.

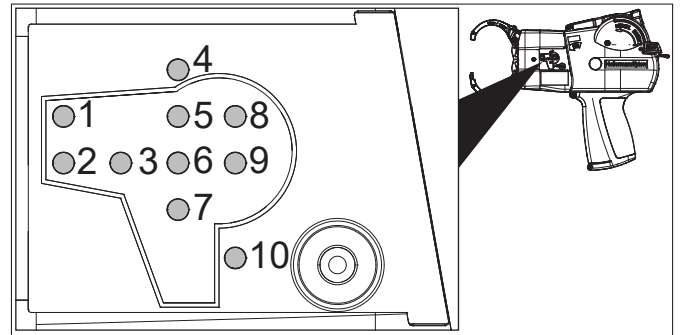
The force of the binding can be set on the ATS flex.

To make a binding, items to be bundled have to be positioned between the jaws and against the end cap. The triggering lever **6** is then pressed.

If a fault occurs, the user is shown information about the location of the error on the display **3** and the corresponding LED illuminates in red, → "Display" on page 9

The working mode of the ATS flex can be selected with the **4** mode selection pushbutton. → "Selecting mode" on page 12

3.2.2 Display



- 1 Lock position
- 2 Switch
- 3 Start position
- 4 Lock material
- 5 Motor
- 6 Time
- 7 Overload
- 8 Locking request
- 9 Roller block
- 10 Reset

4 Transport, disposal and storage

4.1 Transporting the device

- ▶ Use the supplied case for transport.

4.2 Disposal

End-of-life (EOL) disposal of the ATS flex and individual assemblies and the disposal of consumables and auxiliaries are subject in part to statutory regulations. Detailed information is available on request from the appropriate authorities (e.g. regional or national water boards or environmental authorities).

- ▶ Dispose of packaging materials.



Always dispose of packaging materials in accordance with the currently valid materials-disposal and environmental protection regulations.

- ▶ Always take materials for disposal to certified collection points.
- ▶ Contact the manufacturer if there is any uncertainty regarding disposal.

4.3 Storage

- ▶ Keep the ATS flex cool and dry.
- ▶ Avoid direct sunlight.
- ▶ The ATS flex must be stored in dustproof packaging.
- ▶ Store electrical components (ATS flex) in impact-absorbing packaging and separately from the accessories.
- ▶ Consult and comply with the appropriate data sheets for storage of the accessories.

Installation

4.4 Return

- ▶ Use the supplied case for returns, as otherwise you will be invoiced for the costs of a replacement case.

5 Installation

5.1 Installing the accessories

- ▶ Always proceed in accordance with the instructions supplied with the accessory in question.

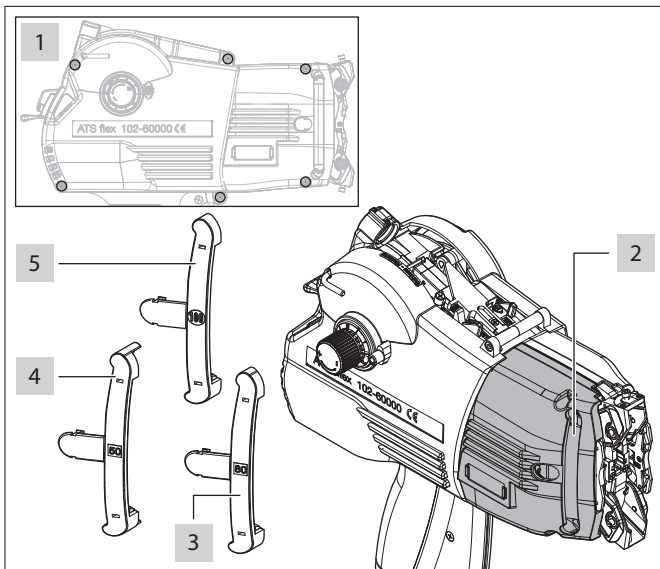
5.2 Setting limit

Required tool

- Screwdriver 2.5 mm for Allen screw

i The screwdriver for 2.5 mm Allen screws is not included in the scope of supply.

Setting limit



The following limits are available, → "Geometries of bundles" on page 13:

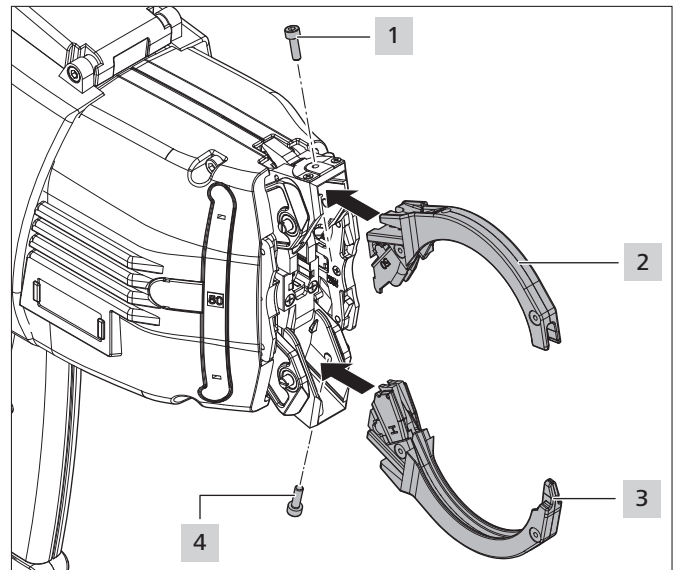
- Limit 50 **4** for jaw Ø30 mm and Ø50 mm
- Limit 80 **3** for jaw Ø80 mm
- Limit 100 **5** for jaw Ø100 mm
- ▶ Loosen the six screws **1**.
- ▶ Slightly raise the rear housing shell and remove the front housing shell **2**.
- ▶ Turn the front housing shell **2**.
- ▶ Insert the limit suitable for the bundle into the recess of the front housing shell **2** from the inside.
- ▶ Push the front housing shell **2** under the rear housing shell and close the housing.
- ▶ Fasten the housing shells using the screws **1**.

5.3 Assembling jaws

Required tool

- Screwdriver 2 mm for Allen screw

Assembling jaws



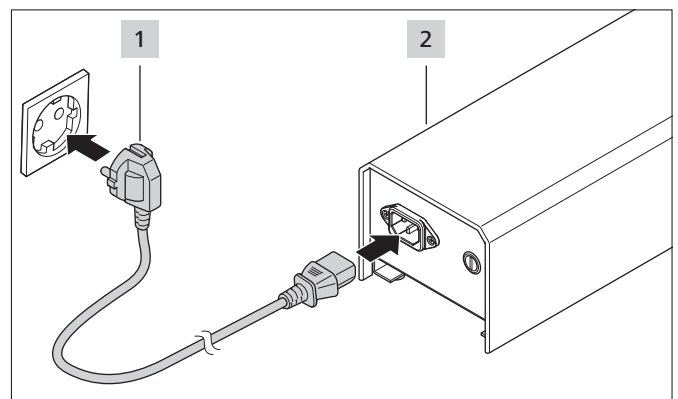
- ▶ Select the jaws suitable for the bundle, → "Geometries of bundles" on page 13
- ▶ Loosen the screws **1** and **4**.
- ▶ Push the upper jaw **2** and the lower jaw **3** into the respective jaw receivers until they engage.
- ▶ Pay attention to the labelling and the correct assignment of the upper and lower jaw.

NOTE

The screw heads do not rest on the housing.

- ▶ Do **not** tighten the screws up until the stop.
- ▶ Tighten the screws **1** and **4** and by doing so clamp the jaws.

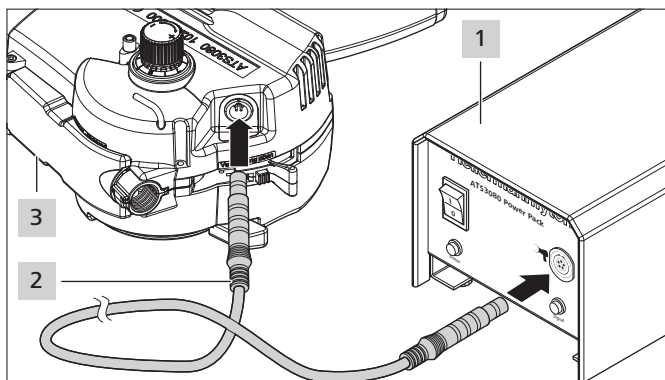
5.4 Connecting ATS flex



- ▶ Connect the power pack **2** to the power-supply outlet **1**.

NOTE

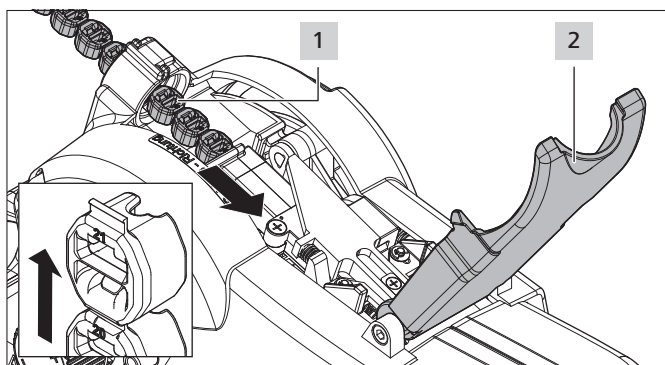
The power-supply outlet must be readily accessible so that the system can be de-energised if the need arises.



- ▶ Connect the ATS flex **3** to the power pack **1** with the connecting cable **2**.
- ☑ The locking rings of the connecting cable **2** engage.

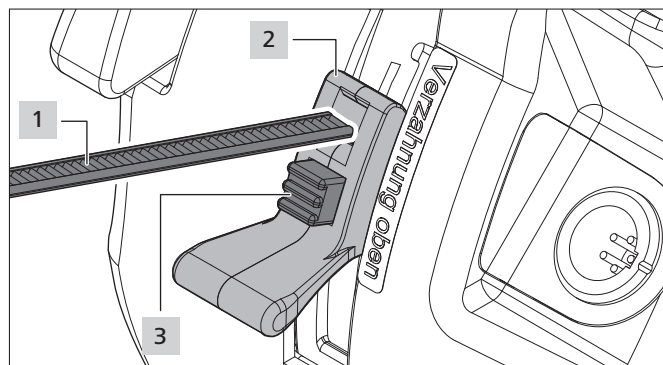
6 Operation

6.1 Loading tie heads



- ▶ Insert the closure chain **1** with the number facing towards the front and upwards.
- ▶ Open the cover **2** of the ATS flex.
- ▶ Insert the closure chain **1** up to the first point.
- ☑ LED 4 **Lock material** in the display goes out.
- ☑ The closure chain **1** locks firmly into place.
- ▶ Close the cover **2**.

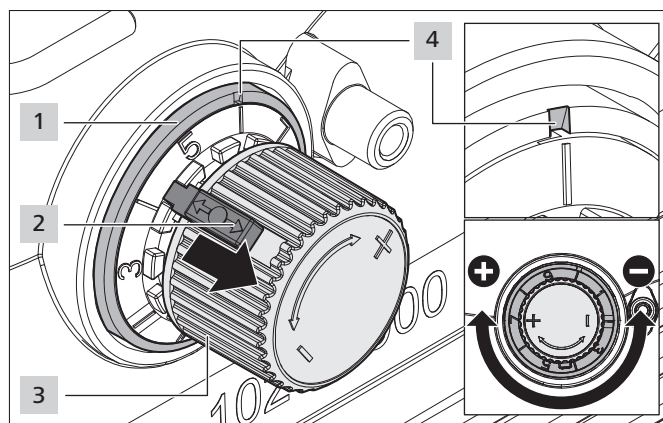
6.2 Loading tie ribbon



- ▶ Ensure that the tie ribbon **1** is cut at a right angle.
- ▶ Press the red button **3** of the roller block **2** and hold down briefly for adjustment.
- ▶ Push the roller block **2** into the central position until it engages.
- ▶ With the teeth facing up, insert the tie ribbon **1** approx. 10 cm deep.
- ▶ Slide the roller block **2** right up until the red button **3** engages.
- ☑ It must no longer be possible to pull out the tie ribbon **1**.
- ☑ LED 9 **Roller block** in the display goes out.

6.3 Adjusting tension force

The ATS flex has an adjusting knob that can be used to adjust the tension force.

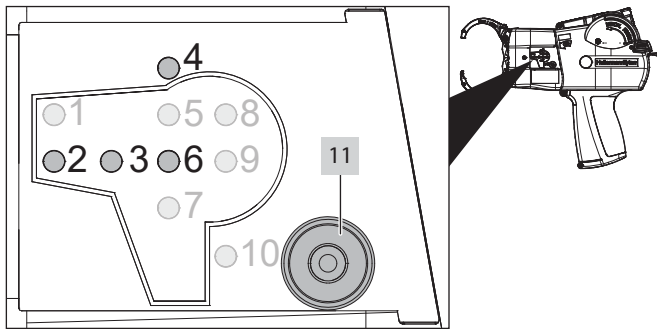


- ▶ Pull the lock pin **2** on the adjusting knob **3** out of the gearing.
- ▶ With the lock pin **2** removed, use the adjusting knob **3** to set the desired tension force.
 - Turning clockwise will increase the tension force.
 - Turning anti-clockwise will decrease the tension force.
- ☑ The selected setting is displayed in the white notch **4** on the marking ring **1**.
- ▶ Allow the lock pin **2** to lock firmly into place.

6.4 Switching on

- ▶ Check if the ATS flex is ready for use.
- ☑ The tie ribbon is loaded and the roller block is locked, → "Loading tie ribbon" on page 11
- ☑ The tie heads are loaded in the correct direction, → "Loading tie heads" on page 11
- ☑ The green field is visible on the tie head transport.
- ☑ The deflectors are extended.
If the deflectors are not extended, then a reset is required, → "Performing a reset" on page 17
- ▶ Switch the power pack ON at the main switch.
- ☑ The **Signal** and **Power** LEDs on the power pack illuminate in green.
- ☑ The 10 **Reset** LED on the ATS flex lights up green, → "Display" on page 9
- ☑ The ATS flex is ready for use.
- ▶ Perform ten sample bindings.

6.5 Selecting mode



The ATS flex has three working modes to choose from. The display of the active mode and selection of modes is started with the pushbutton **11**.

Step 1: Press and hold the pushbutton for 2 seconds.

- ☑ Mode selection started. The active mode can be read out on LEDs 2, 3, 4 and 6 on the display of the ATS flex:

Display	Mode	Description
LED 4, LED 2	Standard	Normal mode
LED 4, LED 3	2 second pause	2 second pause between wrapping and reverse
LED 4, LED 6	Slow reverse	Reverse slower than in normal mode

Step 2: Press the pushbutton briefly to switch to the next mode. Keep pressing until the desired mode is displayed.

Step 3: Press and hold the pushbutton for 2 seconds.

- ☑ Mode selection complete. The last selected mode is active.

6.6 Binding

- ▶ Guide the bundle in front of the end cap of the ATS flex.

NOTE

- ▶ The end cap of the ATS flex must **not** press against the bundle.

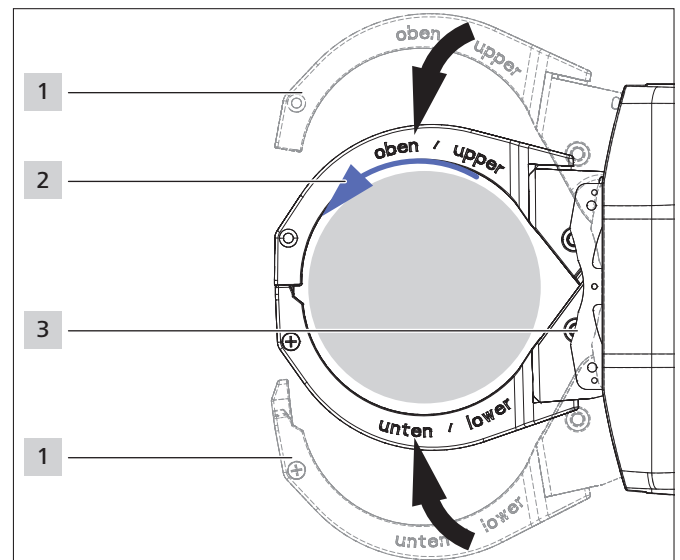
- ▶ Press the triggering lever and start a binding.

- ☑ The jaws surround the bundle and the binding is carried out.

6.7 Sequence of movements in normal operation

- i** The sequence of movements as shown here is with Ø50 mm jaws and a round object (bundle).

Start position



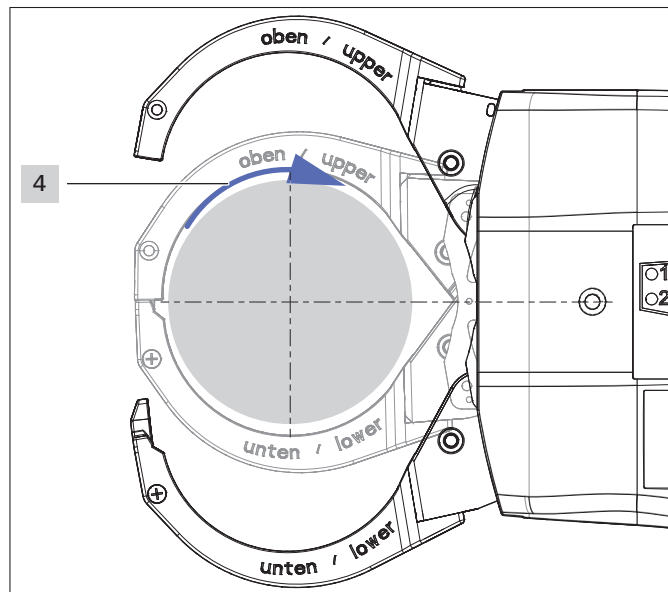
Step 1: Close the jaws **1**.

Step 2: The tie ribbon forms a loop **2** around the material.

Step 3: The ATS flex switches to reverse.

Step 4: The deflector **3** moves back, the jaws **1** open.

Tensioning position

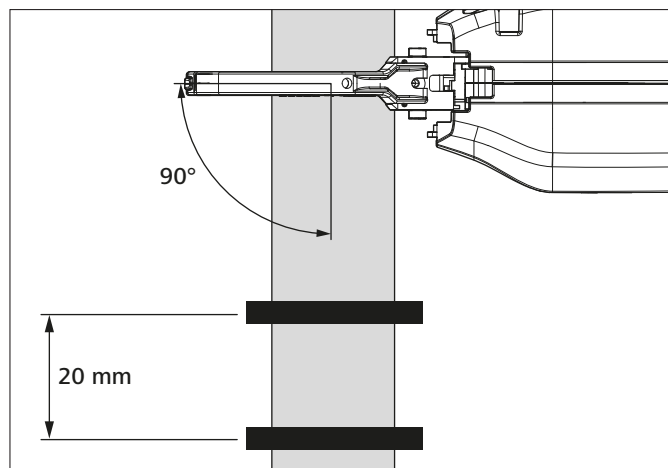


- Step 5:** The tie ribbon is tensioned around the material **4**.
- Step 6:** The tie ribbon is cut off when the pre-set binding strength is reached.
- Step 7:** The deflectors move forwards. The ATS flex stops.
- Step 8:** The ATS flex is ready for the next binding.

6.8 Positioning

6.8.1 Positioning the bundle

- ▶ Make sure that the bundle is always in the same position.
- ▶ Bundle the material neatly. Make sure there are no projecting cable-tie ends.
- ▶ Make sure that the upper and lower jaws of the ATS flex are not obstructed when closing.

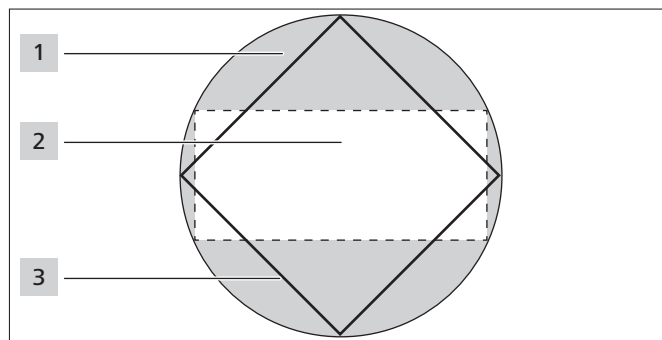


- ▶ Guide the ATS flex past the material to be bundled at an angle of 90° to ensure that each binding is secure without projecting cable-tie ends.
- ▶ Set the tie ribbons at a minimum distance of 20 mm.

NOTE

In order to make a good binding, the bundle must be in a central vertical position in relation to the jaws, → "Tensioning position" on page 13

6.8.2 Geometries of bundles



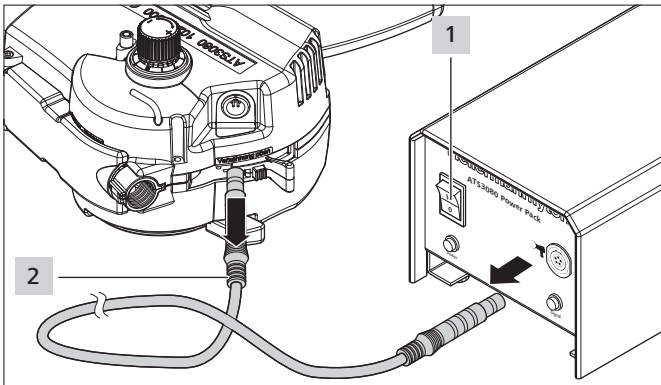
Dimensions	Jaw 30	Jaw 50	Jaw 80	Jaw 100
Diameter [mm] 1	max. 30	max. 50	max. 80	max. 100
Rectangle [mm] 2	max. 12 x 27	max. 23 x 45	max. 34 x 72	max. 40 x 92
Square [mm] 3	max. 21 x 21	max. 35 x 35	max. 56 x 56	max. 70 x 70

i After switching on the ATS flex power pack, a measuring run is performed during the first two bindings. The speed is reduced in the process. The measuring run makes it possible to increase the speed and quality of the subsequent bindings.

6.9 Switching off

NOTE

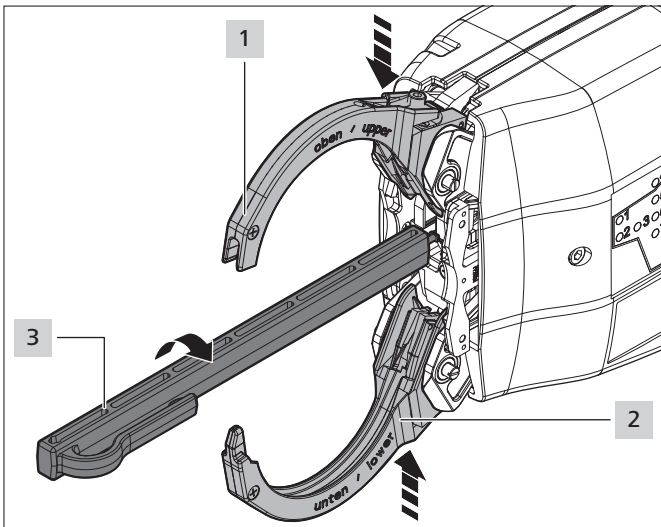
- ▶ Keep the main switch on the power pack off when the ATS flex is not in use and when a change is to be made.



- ▶ Switch the power pack OFF at the main switch **1**.
- ▶ Pull on the locking rings of the connecting cable **2** to remove.

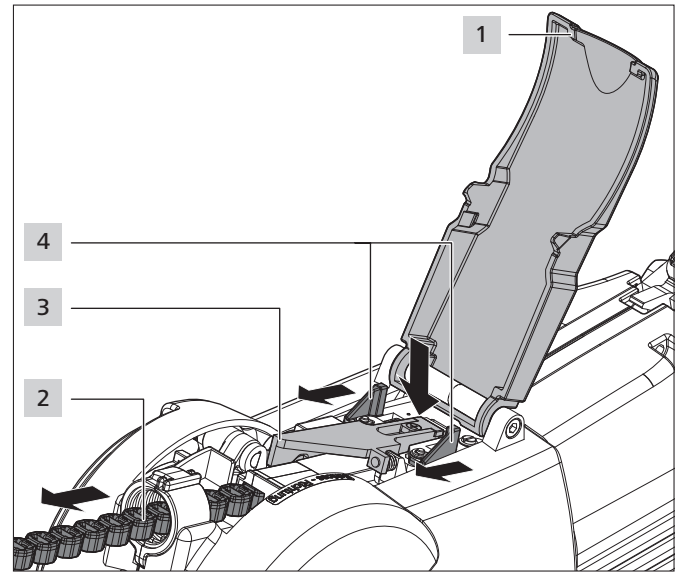
6.10 Removing tie heads

6.10.1 Removing the tie heads from the end cap



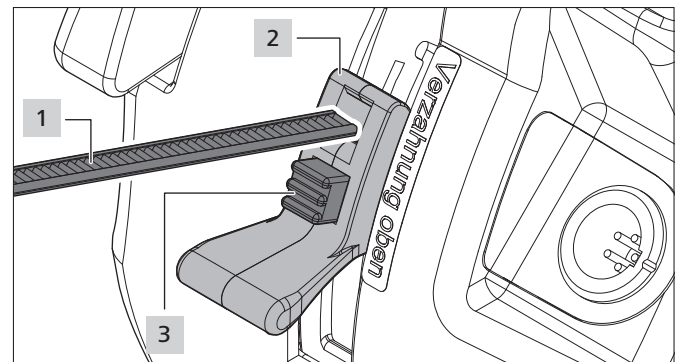
- ▶ Switch the power pack OFF at the main switch.
- ▶ Lightly press together the jaws **1** and **2**.
- ☑ The tie heads are transported into the end cap.
- ▶ Insert the tie head puller **3** and turn by 90°.
- ▶ Use the tie head puller **3** to remove the tie heads.

6.10.2 Removing the tie heads from the tie head transport



- ▶ Switch the power pack OFF at the main switch.
- ▶ Open the cover **1** of the ATS flex.
- ▶ Press the tie head transport lever **3** down until the closure chain is separated.
- ☑ The tie head transport lever **3** tilts upwards.
- ▶ Push the clips **4** backwards towards the grip, and when doing so remove the tie heads **2**.
- ▶ Close the cover **1**.

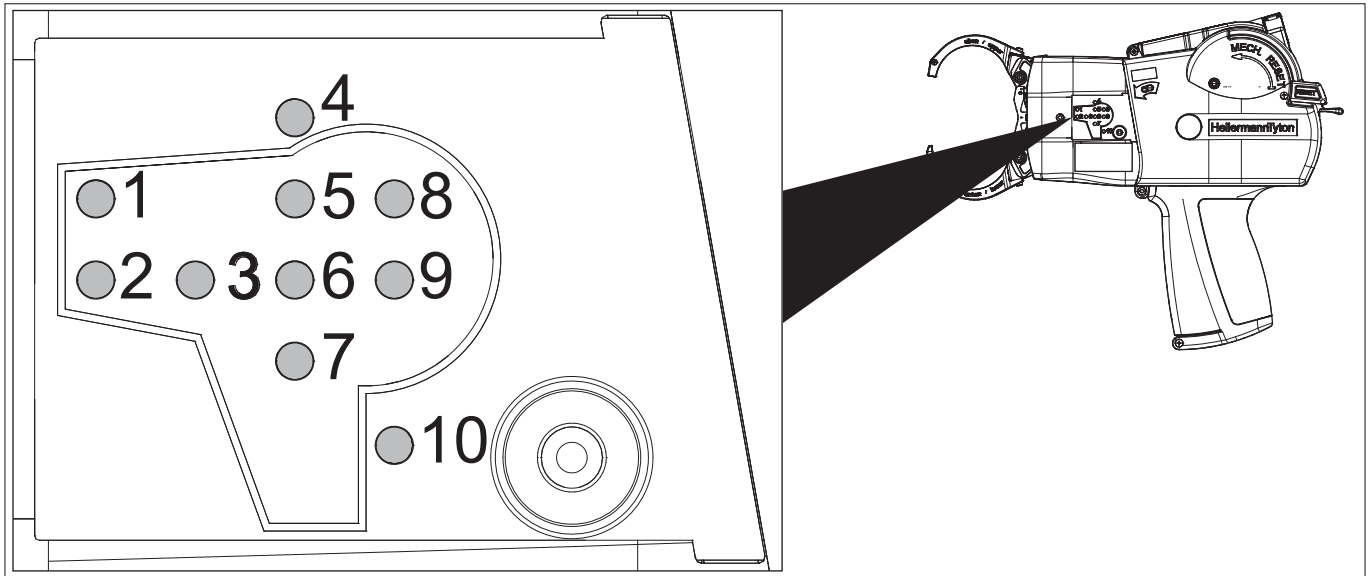
6.11 Removing tie ribbon



- ▶ Switch the power pack OFF at the main switch.
- ▶ Press the red button **3** of the roller block **2** and hold down.
- ▶ Push the roller block **2** into the lower position.
- ▶ Remove the tie ribbon **1**.

7 Troubleshooting

7.1 Error analysis



The LED lights on the display indicate the current operating status:

- LED 10 lights up green: O.K.
- An LED lights up red: error
- No LED lights up: PCB defective

The following table describes the causes and solutions in the event of an error notification on the display.

NOTIFICATION ON THE DISPLAY	CAUSE	FAULT RECTIFICATION
LED 1 Lock position	Tie head not in position	▶ Check end cap.
LED 1 Lock position II	Too few heads in lock channel II	▶ Reload heads.
LED 2 Switch	Switch lever actuated	▶ Check end cap.
LED 3 Start position	Tool not in start position	▶ Check cycle interruption. ▶ Push the reset lever upwards once up to the stop.
LED 4 Lock material	End of tie head chain	▶ Load tie heads, → "Loading tie heads" on page 11
LED 5 Motor	Motor runs too slow	▶ Perform reset, → "Performing a reset" on page 17 ▶ If the reset is unsuccessful, contact service.
LED 6 Time	Time limit exceeded	▶ Establish start position, → "Switching on" on page 12
LED 7 Overload	Overload	▶ Check blockage of the ribbon channel. ▶ Remove material residue in the ribbon channel.
LED 8 Locking request	Jaws not completely locked	▶ No troubleshooting necessary
LED 9 Roller block	Roller block open	▶ Close the roller block.
LED 10 Reset	Reset not complete	▶ Perform reset again, → "Performing a reset" on page 17

7.2 Possible errors

The following table describes possible malfunctions on the ATS flex for which notification is not provided on the display.

FAULT PATTERN	POSSIBLE CAUSE	SOLUTION
Loops form	<ul style="list-style-type: none"> • Tension force too low 	<ul style="list-style-type: none"> ▶ Adjust tension force, → <i>"Adjusting tension force" on page 11</i>
Projecting cable-tie ends, Loose binding	<ul style="list-style-type: none"> • Distance between bundle and ATS flex too large • Bundle not aligned parallel 	<ul style="list-style-type: none"> ▶ Move the end cap of the ATS flex so that it is tight on the bundle without pressing on it. ▶ During the binding, the ATS flex must not be moved away from the material for bundling. ▶ Position the material for bundling, → <i>"Positioning the bundle" on page 13</i>
Binding not possible. Tie ribbon shoots straight out.	<ul style="list-style-type: none"> • Incorrect jaw assembly 	<ul style="list-style-type: none"> ▶ Check jaw flap wear, → <i>"Checking jaws, upper jaw flap and lower jaw flap" on page 18</i> ▶ Check jaw assembly and assemble jaws correctly, → <i>"Assembling jaws" on page 10</i>
The ATS flex causes a rasping noise.	<ul style="list-style-type: none"> • Incorrect jaw assembly • Track of the jaws blocked • Tie head chain incorrectly inserted 	<ul style="list-style-type: none"> ▶ Check jaw assembly and assemble jaws correctly, → <i>"Assembling jaws" on page 10</i> ▶ Free up the jaw track. ▶ Cut off wear on the tie ribbon or replace tie ribbon. ▶ Remove tie heads and insert correctly, → <i>"Loading tie heads" on page 11</i>
No mechanical reset possible. The ribbon channel is closed.	<ul style="list-style-type: none"> • End cap or ribbon knife incorrectly assembled 	<ul style="list-style-type: none"> ▶ Assemble end cap and ribbon knife correctly, → <i>"Checking and replacing the ribbon knife" on page 20</i> ▶ Free up the ribbon channel.
The jaws do not close.	<ul style="list-style-type: none"> • Blockage caused by tie head 	<ul style="list-style-type: none"> ▶ Remove tie head from the end cap, → <i>"Removing the tie heads from the end cap" on page 14</i>
The tie ribbon is not cut off.	<ul style="list-style-type: none"> • ATS flex defective 	<ul style="list-style-type: none"> ▶ Send the ATS flex to the manufacturer, → <i>"Contact data" on page 4</i>
The jaws spring open.	<ul style="list-style-type: none"> • Deflector not at the front 	<ul style="list-style-type: none"> ▶ Perform reset, → <i>"Performing a reset" on page 17</i>
The ATS flex is inserted into a device and shows an error message on the display.	<ul style="list-style-type: none"> • ATS flex incorrectly inserted • Device assembled incorrectly • ATS flex defective 	<ul style="list-style-type: none"> ▶ Take the ATS flex out of the device and carry out binding manually. ▶ If the ATS flex is in proper working order, insert it into the device correctly or assemble the device correctly, → <i>"Positioning the bundle" on page 13</i> ▶ In the event of an unsuccessful manual function check, send the ATS flex to the manufacturer, → <i>"Contact data" on page 4</i>

7.2.1 Important notes

CAUTION

Crush hazard when jaws close.

- ▶ Do not insert fingers between upper and lower jaws.
- ▶ Always keep the power pack switched off during troubleshooting.

CAUTION

Crush hazard due to moving/rotating parts when service flaps are open.

- ▶ Always keep the power pack switched off during troubleshooting.

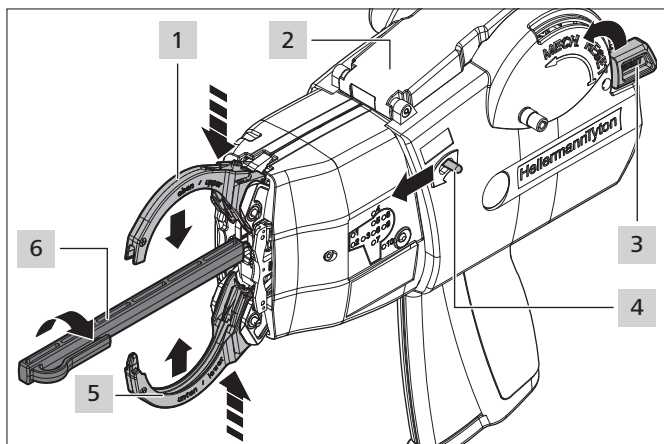
7.2.2 Performing a reset

A mechanical reset of the ATS flex is required after a malfunction. The electrical reset occurs automatically.

Tools needed

- Tie head puller

Performing a reset



- ▶ Close the cover **2**.
- ▶ Push the release lever **4** in the direction of the jaws.
- ☑ The jaws **1** and **5** open.
- ▶ Lightly press together the jaws **1** and **5** at the jaw receiver (see arrows).
- ☑ The tie heads are transported into the end cap.
- ▶ Insert the tie head puller **6** and turn by 90°.
- ▶ Use the tie head puller **6** to remove a tie head.
- ▶ Push the reset lever **3** **twice** all the way up to the stop.

8 Maintenance

8.1 Important notes

Regular servicing is essential in order to ensure that the ATS flex remains in proper working order, → "Maintenance schedule" on page 18.

CAUTION

Crush hazard when jaws close.

- ▶ Do not insert fingers between upper and lower jaws.
- ▶ Always keep the power pack switched OFF while maintenance is in progress.

CAUTION

Crush hazard due to moving/rotating parts when service flaps are open.

- ▶ Always keep the power pack switched OFF while maintenance is in progress.

8.2 Accessories and extras

Accessories and extras can be ordered directly from your national HellermannTyton representative, → *separate spare parts list*.

Name	Article number
Operating Instructions	102-01024
Power pack	102-00150
Power cable 1.8 m	102-00011
Connecting cable, 2 m	123-90052
Screwdriver 2 mm for Allen screw	102-01103
Screwdriver PH0 50	102-01105
Tie head puller	102-01110
Limit 80	102-10064
flex movable bench mount kit	102-00040
flex horizontal bench mount kit	102-00041
flex automatic bench mount kit	102-00042
flex overhead suspension	102-00050
Jaw extension kit Ø100 mm	On request

8.3 Servicing by manufacturer

It is advisable to have the ATS flex serviced by HellermannTyton once a year or after approx. every 1 million bindings.

Service contact addresses for all countries are posted on the website: www.HellermannTyton.com

8.4 Maintenance schedule

WHEN?	WHO?	WHAT AND HOW?
Daily	Setup specialist	<ul style="list-style-type: none"> ▶ Blow out the end cap with compressed air. ▶ Check jaws for secure position.

8.5 Repair

NOTE

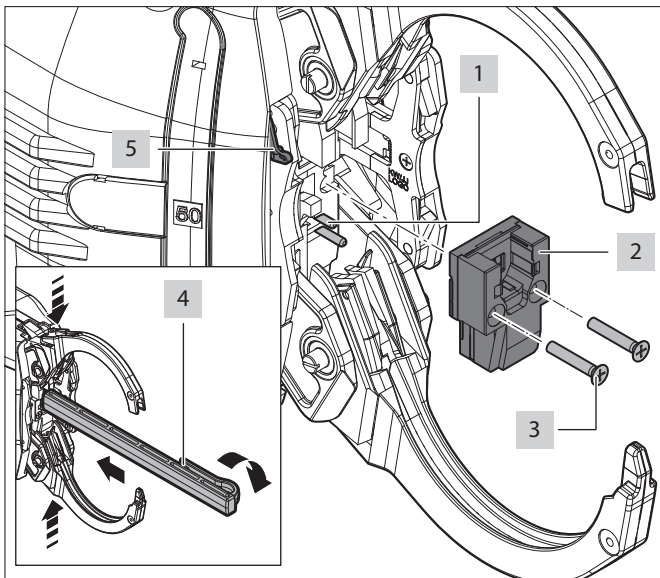
- ▶ Always perform a reset before commencing repair work, → "Performing a reset" on page 17.

8.5.1 Cleaning end cap

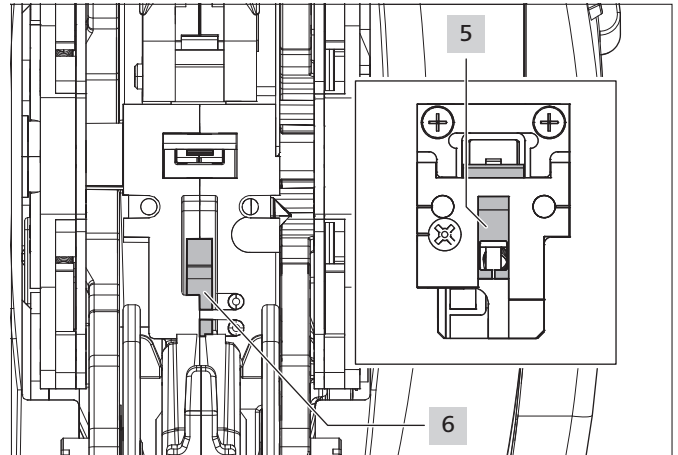
Required tool

- Tie head puller
- Screwdriver PH0 50

Cleaning end cap



- ▶ Lightly press together the jaws at the jaw receiver (see arrows).
- ☑ The tie heads are transported into the end cap **2**.
- ▶ Insert the tie head puller **4** and turn by 90°.
- ▶ Remove the tie heads from the end cap **2**.
- ▶ Loosen the screws **3** of the end cap.
- ▶ Remove the end cap **2**.
- ▶ Dismantle the end cap **2** and clean with compressed air or a brush, → "Checking and replacing the ribbon knife" on page 20
- ▶ Blow the front area of the ATS flex with compressed air.
- ▶ Blow out the locking request lever **5** with compressed air.



- ▶ Ensure that the ribbon knife **5** and the levers of the ribbon knife **6** are in the closed position (below).
- ▶ Insert the end cap **2** and use the screws **3** to secure.
- ▶ Ensure that you do not cause any damage when inserting the two pins **1** in the end area.

NOTE

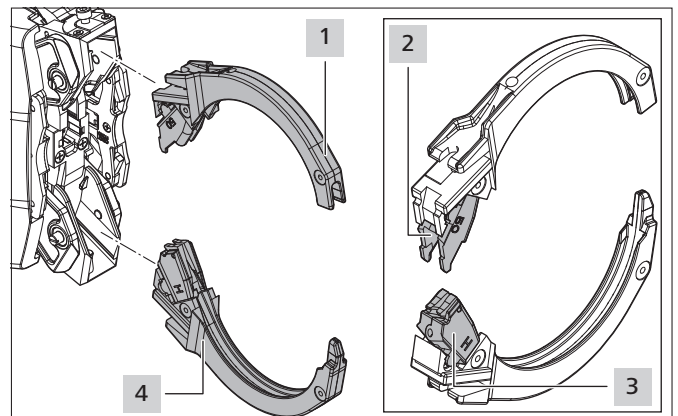
Damage to the pins **1** will cause the ATS flex to malfunction.

8.5.2 Checking jaws, upper jaw flap and lower jaw flap

Required tool

- Screwdriver 2 mm for Allen screw

Checking jaws, upper jaw flap and lower jaw flap



- ▶ Remove the two jaws **1** and **4** from the ATS flex, → "Assembling jaws" on page 10
- ▶ Check the jaws and the upper jaw flap **2** and lower jaw flap **3** for wear or chipping.
- ▶ In the event of wear or chipping, insert new jaws.

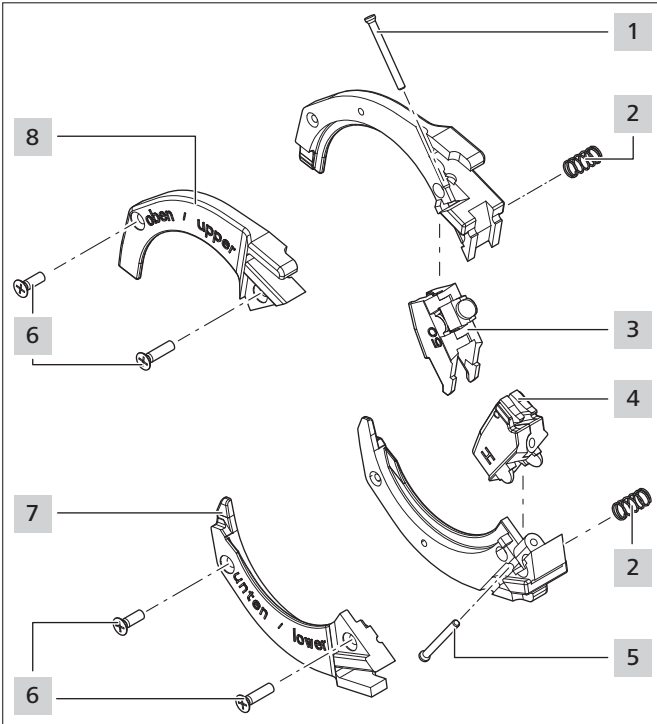
- ▶ In the event of wear or chipping, replace the upper jaw flap **2** and the lower jaw flap **3**, → "Replacing upper jaw flap and lower jaw flap" on page 19

8.5.3 Replacing upper jaw flap and lower jaw flap

Required tools and resources

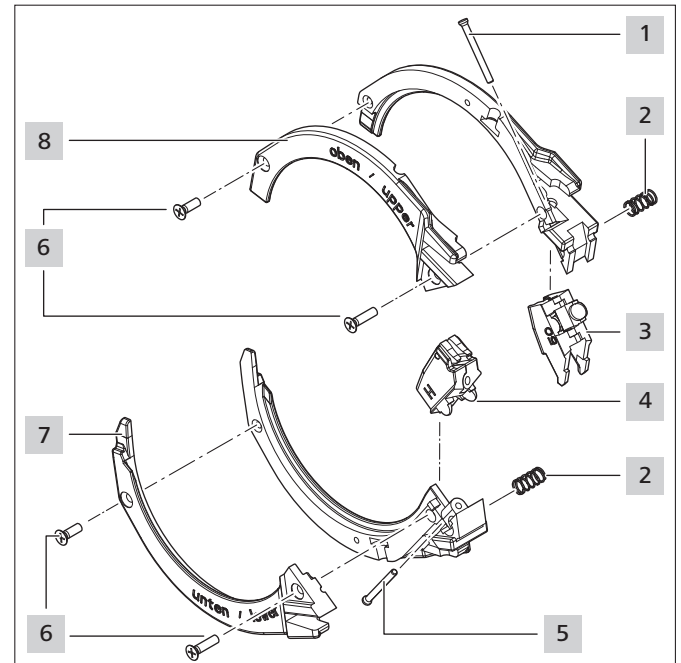
- Screwdriver PH0 50
- Loctite 243 (optionally available from HellermannTyton)

Replacing lower jaw flap and upper jaw flap of jaw Ø30



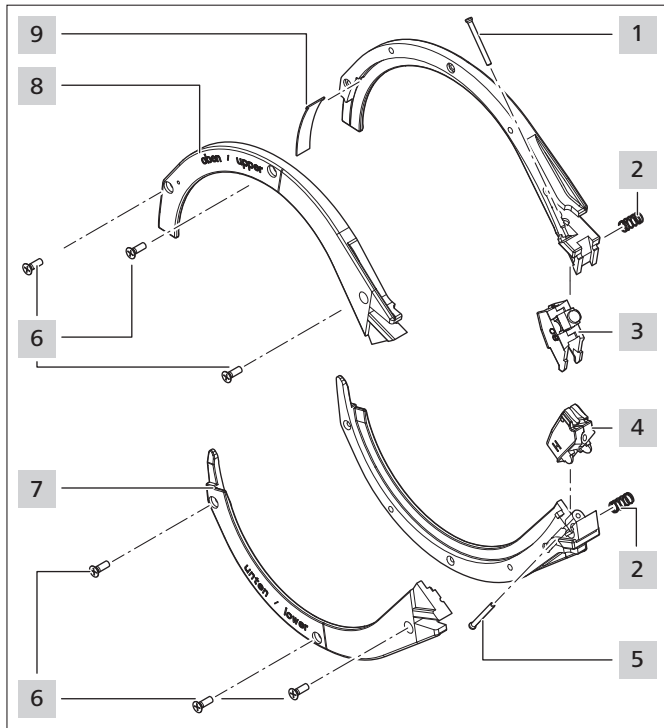
- ▶ Loosen the screws **6** on the upper and lower jaw.
- ▶ Remove the jaw halves **7** and **8**.
- ▶ Remove the pin **1** on the upper jaw flap **3**.
- ▶ Remove the pin **5** on the lower jaw flap **4**.
- ▶ Remove the upper jaw flap **3** and the lower jaw flap **4**.
- ▶ Remove the springs **2**.
- ▶ Insert the springs **2** into the new upper jaw flap **3** and the new lower jaw flap **4**.
- ▶ Insert the upper jaw flap **3** into the upper half of the jaw and secure with the pin **1**.
- ▶ Insert the lower jaw flap **4** into the lower half of the jaw and secure with the pin **5**.
- ▶ Attach the jaw halves **7** and **8**.
- ▶ Apply a drop of Loctite 243 to the thread of each of the screws **6**.
- ▶ Insert the screws **6** and tighten.

Replacing lower jaw flap and upper jaw flap of jaw Ø50



- ▶ Loosen the screws **6** on the upper and lower jaw.
- ▶ Remove the jaw halves **7** and **8**.
- ▶ Remove the pin **1** on the upper jaw flap **3**.
- ▶ Remove the pin **5** on the lower jaw flap **4**.
- ▶ Remove the upper jaw flap **3** and the lower jaw flap **4**.
- ▶ Remove the springs **2**.
- ▶ Insert the springs **2** into the new upper jaw flap **3** and the new lower jaw flap **4**.
- ▶ Insert the upper jaw flap **3** into the upper half of the jaw and secure with the pin **1**.
- ▶ Insert the lower jaw flap **4** into the lower half of the jaw and secure with the pin **5**.
- ▶ Attach the jaw halves **7** and **8**.
- ▶ Apply a drop of Loctite 243 to the thread of each of the screws **6**.
- ▶ Insert the screws **6** and tighten.

Replacing lower jaw flap and upper jaw flap of jaw Ø80



- ▶ Loosen the screws **6** on the upper and lower jaw.
- ▶ Remove the jaw halves **7** and **8**.
- ▶ Remove the pin **1** on the upper jaw flap **3**.
- ▶ Remove the pin **5** on the lower jaw flap **4**.
- ▶ Remove the upper jaw flap **3** and the lower jaw flap **4**.
- ▶ Remove the springs **2**.

NOTE
The flaps in the Ø80 jaw are different from the flaps in Ø30 and Ø50 jaws.

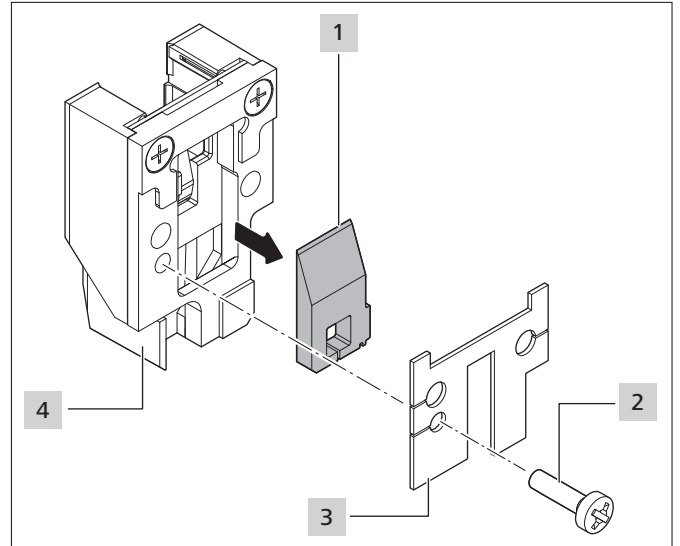
- ▶ Insert the springs **2** into the new upper jaw flap **3** and the new lower jaw flap **4**.
- ▶ Insert the upper jaw flap **3** into the upper half of the jaw and secure with the pin **1**.
- ▶ Insert the lower jaw flap **4** into the lower half of the jaw and secure with the pin **5**.
- ▶ Insert the sheet metal part QZ80 **9**.
- ▶ Attach the jaw halves **7** and **8**.
- ▶ Apply a drop of Loctite 243 to the thread of each of the screws **6**.
- ▶ Insert the screws **6** and tighten.

8.5.4 Checking and replacing the ribbon knife

Required tool

- Screwdriver PH0 50

Checking and replacing the ribbon knife



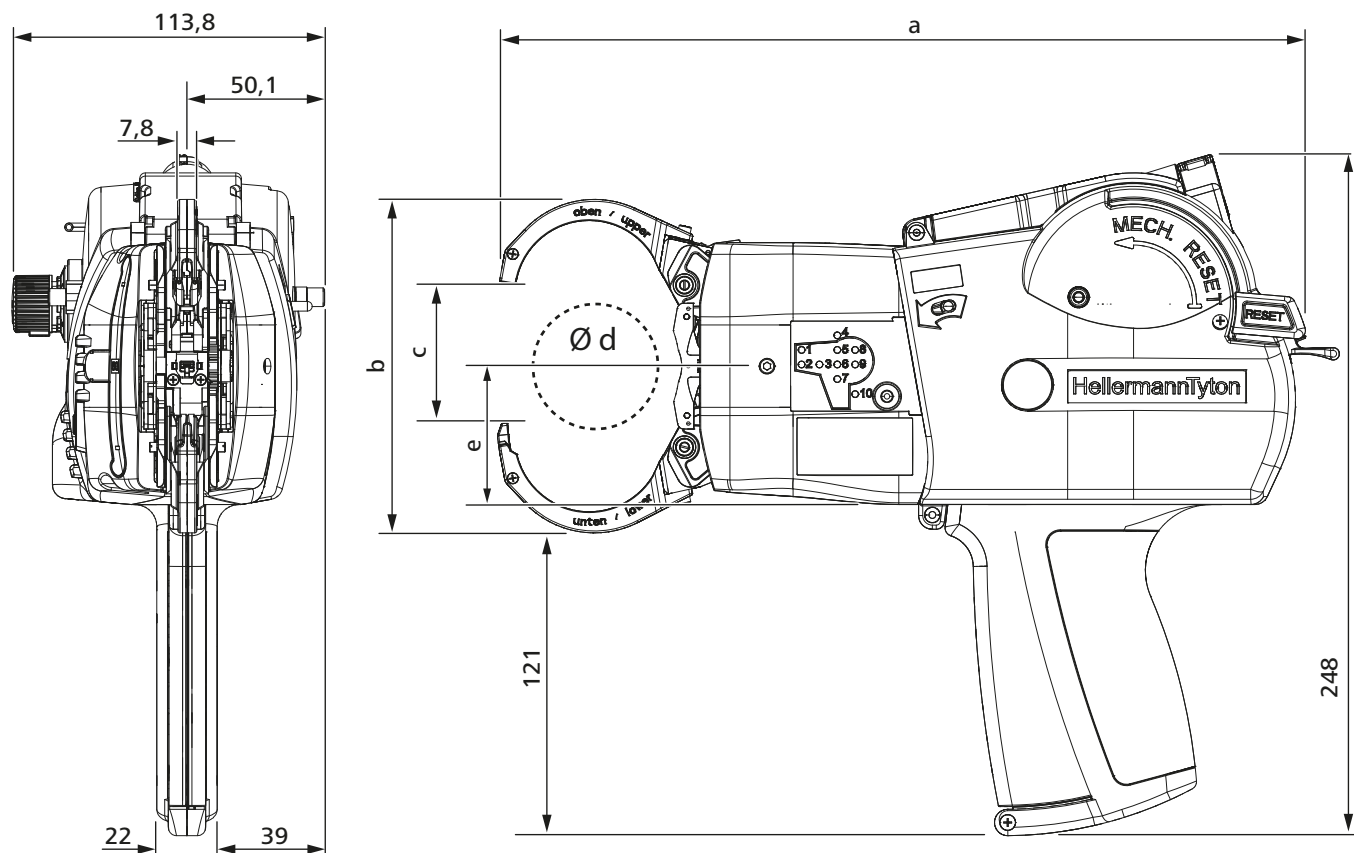
- ▶ Dismantle the jaws, → "Assembling jaws" on page 10
- ▶ Remove the end cap **4**, → "Cleaning end cap" on page 18

CAUTION
Cut hazard. The ribbon knife is extremely sharp.
▶ Never touch the cutting edge with your fingers.

- ▶ Loosen the screw **2** and remove with the end cap cover **3** from the reverse of the end cap **4**.
- ▶ Remove the ribbon knife **1** and clean with compressed air.
- ▶ Check the ribbon knife for damage and replace if necessary.
- ▶ Clean the end cap **4** with compressed air.
- ▶ Insert the ribbon knife **1** with positive locking.
- ▶ Insert the cover of the end cap **3** with the screw **2**.
- ▶ Tighten the screw **2**.
- ▶ Insert the end cap **4**, → "Cleaning end cap" on page 18.

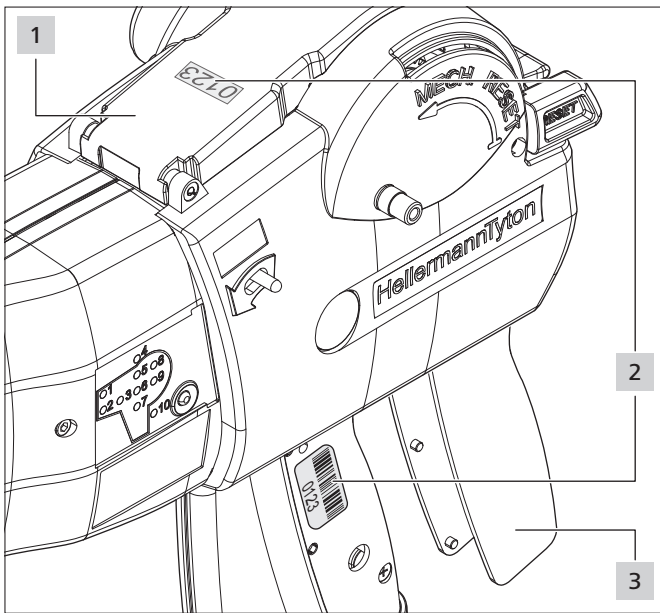
9 Technical data

9.1 ATS flex



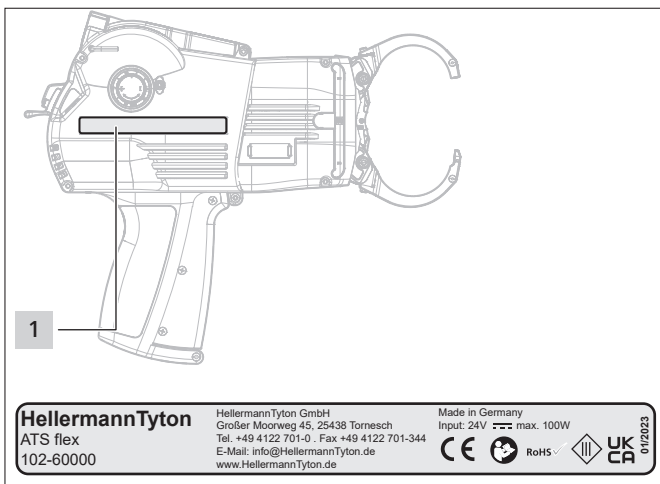
	Value	Jaws Ø30 mm	Jaws Ø50 mm	Jaws Ø80 mm
Max. power draw		100 W		
Input voltage		24 V		
Weight		approx. 1815 g		
Bundle thickness	Ø d	30 mm	50 mm	80 mm
Dimensions	a	272 mm	293 mm	329 mm
	b	Max. 111 mm	Max. 134 mm	Max. 175 mm
	c	Max. 64 mm	Max. 68 mm	Max. 80 mm
	e	Max. 50 mm	Max. 50 mm	Max. 50 mm

9.1.1 Serial number



The serial number **2** of the ATS flex is under the grip cover **3** and on the inside of the cover **1**.

9.1.2 Nameplate



The nameplate **1** is on the right side of the housing.

9.2 Noise and vibration information

Emission sound pressure level L_{pA} Uncertainty K_{pA}	71 dB re20 μ Pa 3 dB
Sound power level L_{WA} Uncertainty K_{WA}	82 dB re1pW 3 dB
Aggregate figure for vibration a_h Uncertainty K	0.79 m/s ² 1.5 m/s ²

i The vibration level as stated here is a measured value obtained by the standardised method set out in EN 62841-1:2015; it can be used for the purposes of device comparison.

The figure for vibration stated here is for the power tool in conditions of its intended use and can differ from the actual figure for the power tool in conditions of other use or if not adequately serviced.

Accurately estimating vibration load over a certain work period entails making due allowance for the times during which the device is switched off or running, but not actually in use. This can reduce vibration load over the entire work period by a significant margin.

- ▶ Implement additional safety measures to protect the operator from the effects of vibration, for example:
 - Servicing of power tools and use tools
 - Keeping hands warm
 - Workflow organisation.

10 Declaration of conformity

HellermannTyton

E C - CONFIRMATION

Autotool ATS flex 102-60000
incl. power pack 102-00150

Manufacturer: **HellermannTyton GmbH**
Street: Großes Moorweg 45
Postal Code / City: 25436 Tornesch
Country: Germany
Telefon: +49 4122/701-1
Fax: +49 4122/701-400

We herewith declare, that the design and construction of the product:

Name: **Autotool ATS flex**
Product Type: **Bundle Tool**
Machine Type: **Electronic Bundle Tool**
Serial Number: _____

meets the elementary safety and health requirements of the EC rules:

Machinery Directive 2006/42/EC
Low Voltage Directive 2014/35/EU

The following harmonized standards have been applied accordingly:

BS EN 62841-1+A11:2015-10-31 and EMV No. 22047-2-R00: 2022-03-23

Tornesch, 22.05.2023

HellermannTyton GmbH

ppa. **Spiess,**
Hagen

Digital
unterscriben von
Spiess, Hagen
Datum: 2023.05.25
10:35:34 +02'00'

Hagen Spiess
Head of Product Development

i. A.

Digital unterschrieben
von Schwinn, Andreas
Datum: 2023.05.25
14:56:52 +02'00'

Andreas Schwinn
Lead Engineer Tool Development

This confirmation corresponds to a manufacturer declaration in terms of the EC machine rule 2006/42/EG.
Any alterations of the described product makes this declaration invalid.

HellermannTyton operates globally in 37 countries



Europe

HellermannTyton GmbH – Austria
 Rennbahnweg 65
 1220 Vienna
 Tel.: +43 12 59 99 55-0
 Fax: +43 12 59 99 11
 Email: htcee.office@HellermannTyton.com
 www.HellermannTyton.at

HellermannTyton – Bulgaria
 Email: officeBG@HellermannTyton.com
 www.HellermannTyton.bg

HellermannTyton – Czech Republic
 Email: officeCZ@HellermannTyton.com
 www.HellermannTyton.cz

HellermannTyton – Denmark
 Industrivej 44A, 1.
 4000 Roskilde
 Tel.: +45 702 371 20
 Email: htdk@HellermannTyton.dk
 www.HellermannTyton.dk

HellermannTyton – Finland
 Äyritie 12 B
 01510 Vantaa
 Tel.: +358 9 8700 450
 Email: myynti@HellermannTyton.fi
 www.HellermannTyton.fi

HellermannTyton S.A.S. – France
 2 rue des Hêtres - CS 80543
 78197 Trappes Cedex
 Tel.: +33 1 30 13 80 00
 Fax: +33 1 30 13 80 60
 Email: info.htf@HellermannTyton.com
 www.HellermannTyton.fr

HellermannTyton GmbH – Germany
 Großer Moorweg 45
 25436 Tornesch
 Tel.: +49 4122 701-0
 Fax: +49 4122 701-400
 Email: info@HellermannTyton.de
 www.HellermannTyton.de

HellermannTyton KFT – Hungary
 Kisfaludy u. 13
 1044 Budapest
 Tel.: +36 1 369 4151
 Fax: +36 1 369 4151
 Email: htcee.officeHU@HellermannTyton.com
 www.HellermannTyton.hu

HellermannTyton Ltd – Ireland
 Unit A5 Cherry Orchard
 Business Park
 Ballyfermot, Dublin 10
 Tel.: +353 1 626 8267
 Fax: +353 1 626 8022
 Email: sales@HellermannTyton.ie
 www.HellermannTyton.co.uk

HellermannTyton S.r.l. – Italy
 Via Visco, 3/5
 35010 Limena (PD)
 Tel.: +39 049 767 870
 Fax: +39 049 767 985
 Email: info@HellermannTyton.it
 www.HellermannTyton.it

HellermannTyton B.V. – Belgium/Netherlands
 Vanadiumweg 11-C
 3812 PX Amersfoort
 Tel.: +31 33 460 06 90
 Email (NL): info@HellermannTyton.nl
 Email (BE): info@HellermannTyton.be
 www.HellermannTyton.nl
 www.HellermannTyton.be

HellermannTyton AS – Norway
 Nils Hansens vei 13
 0667 Oslo
 Tel.: +47 23 17 47 00
 Email: firmapost@HellermannTyton.no
 www.HellermannTyton.no

HellermannTyton Sp. z o.o. – Poland
 Kotunia 111
 62-400 Słupca
 Tel.: +48 63 2237 111
 Fax: +48 63 2237 110
 Email: info@HellermannTyton.pl
 www.HellermannTyton.pl

HellermannTyton – Romania
 Email: officeRO@HellermannTyton.com
 www.HellermannTyton.ro

OOO HellermannTyton – Russia
 40/4, Pulkovskoe road
 BC Technopolis Pulkovo, office A 8081
 196158, St. Petersburg
 Tel.: +7 812 386 00 09
 Fax: +7 812 386 00 08
 Email: info@HellermannTyton.ru
 www.HellermannTyton.ru

HellermannTyton – Slovenia
 Branch Office Ljubljana
 Podružnica Ljubljana, Ukmarjeva 2
 1000 Ljubljana
 Tel.: +386 1 433 70 56
 Fax: +386 1 433 63 21
 Email: officeSI@HellermannTyton.com
 www.HellermannTyton.si

HellermannTyton España s.l. – Spain / Portugal
 Avda. de la Industria 37 2º 2
 28108 Alcobendas, Madrid
 Tel.: +34 91 661 2835
 Fax: +34 91 661 2368
 Email: HellermannTyton@HellermannTyton.es
 www.HellermannTyton.es

HellermannTyton AB – Sweden
 Isafjordsgatan 5
 16440 Kista
 Tel.: +46 8 580 890 00
 Fax: +46 8 580 348 02
 Email: kundsupport@HellermannTyton.se
 www.HellermannTyton.se

HellermannTyton Engineering GmbH – Turkey
 Saray Mah Dr. Adnan Büyükdeleniz Cad. No:4
 Akkom Office Park 2. Blok Kat: 10
 34768 Ümraniye-Istanbul
 Tel.: +90 216 687 03 40
 Fax: +90 216 250 32 32
 Email: info@HellermannTyton.com.tr
 www.HellermannTyton.com.tr

HellermannTyton Ltd – UK
 William Prance Road
 Plymouth International Medical
 and Technology Park
 Plymouth, Devon PL6 5WR
 Tel.: +44 1752 701 261
 Fax: +44 1752 790 058
 Email: uk-pt@HellermannTyton.com
 www.HellermannTyton.co.uk

HellermannTyton Ltd – UK
 Sharston Green Business Park
 1 Robeson Way
 Altrincham Road, Wythenshawe
 Manchester M22 4TY
 Tel.: +44 161 947 2200
 Fax: +44 161 947 2220
 Email: uk-pt@HellermannTyton.com
 www.HellermannTyton.co.uk

HellermannTyton Ltd – UK
 Cley Road, Kingswood Lakeside
 Cannock, Staffordshire
 WS11 8AA
 Tel.: +44 1543 728282
 Fax: +44 1543 728284
 Email: uk-pt@HellermannTyton.com
 www.HellermannTyton.co.uk

HellermannTyton Data Ltd – UK
 Waterside House, Edgar Mobbs Way
 Northampton NN5 5JE
 Tel.: +44 1604 707 420
 Fax: +44 1604 705 454
 Email: sales@htdata.co.uk
 www.htdata.co.uk

Middle East

HellermannTyton – UAE
 Email: info@HellermannTyton.ae
 www.HellermannTyton.ae

North America

HellermannTyton – Canada
 Tel.: +1 905 726 1221
 Fax: +1 905 726 8538
 Email: sales@HellermannTyton.ca
 www.HellermannTyton.ca

HellermannTyton – Mexico
 Tel.: +52 333 133 9880
 Fax: +52 333 133 9861
 Email: info@HellermannTyton.com.mx
 www.HellermannTyton.us

HellermannTyton – USA
 Tel.: +1 414 355 1130
 Fax: +1 414 355 7341
 Email: corp@htamericas.com
 www.HellermannTyton.us

South America

HellermannTyton – Argentina
 Tel.: +54 11 4754 5400
 Fax: +54 11 4752 0374
 Email: ventas@HellermannTyton.com.ar
 www.HellermannTyton.com.ar

HellermannTyton – Brazil
 Tel.: +55 11 4815 9000
 Fax: +55 11 4815 9030
 Email: vendas@HellermannTyton.com.br
 www.HellermannTyton.com.br

Asia-Pacific

HellermannTyton – Australia
 Tel.: +61 2 9525 2133
 Fax: +61 2 9526 2495
 Email: cservice@HellermannTyton.com.au
 www.HellermannTyton.com.au

HellermannTyton – China
 Tel.: +86 510 8528 2536
 Fax: +86 510 8528 2731
 Email: cservice@HellermannTyton.com.cn
 www.HellermannTyton.com.cn

HellermannTyton – Hong Kong
 Tel.: +852 2831 9090
 Fax: +852 2832 9381
 Email: cservice@HellermannTyton.com.hk
 www.HellermannTyton.com.sg

HellermannTyton – India
 Tel.: +91 120 413 3384
 Email: cservice@HellermannTyton.co.in
 www.HellermannTyton.co.in

HellermannTyton – Japan
 Tel.: +81 3 5790 3111
 Fax: +81 3 5790 3112
 Email: mkt@hellermannTyton.co.jp
 www.HellermannTyton.co.jp

HellermannTyton – Republic of Korea
 Tel.: +82 32 833 8012
 Fax: +82 32 833 8013
 Email: cservice@HellermannTyton.co.kr
 www.HellermannTyton.co.kr

HellermannTyton – Philippines
 Tel.: +63 2 752 6551
 Fax: +63 2 752 6553
 Email: cservice@HellermannTyton.com.ph
 www.HellermannTyton.com.ph

HellermannTyton – Singapore
 Tel.: +65 6 586 1919
 Fax: +65 6 752 2527
 Email: cservice@HellermannTyton.sg
 www.HellermannTyton.com.sg

HellermannTyton – Thailand
 Tel.: +662 237 6702 / 266 0624
 Fax: +662 266 8664
 Email: cservice@HellermannTyton.co.th
 www.HellermannTyton.com.sg

Africa

HellermannTyton – South Africa
 Tel.: +27 11 879 6600
 Fax: +27 11 879 6603
 Email: jhb.sales@Hellermann.co.za
 www.HellermannTyton.co.za